

SERVICE ROUND DIALYSIS CELLS

ROUND DIALYSIS CELLS FOR ELECTROCOATING.

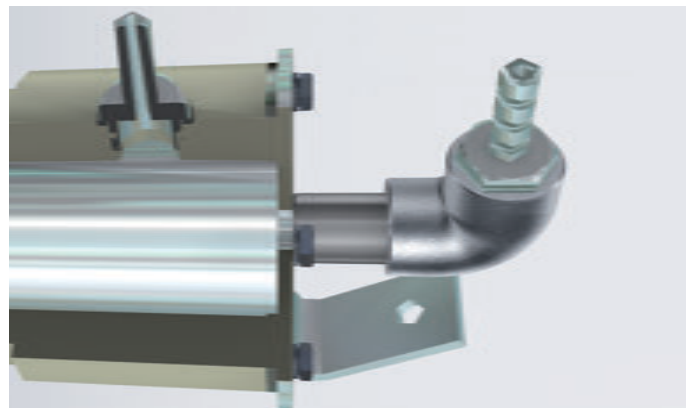
Improve your electrocoating performance with round dialysis cells from Eisenmann. The cells have been further enhanced to ensure top-quality coating. They can be fitted with stainless steel or titanium anodes, depending on the application. The titanium version is coated with iridium oxide or ruthenium oxide. The cells can be retrofitted at any time, and come as standard in Eisenmann electrocoating systems.

Benefits of the new round cells

- Top quality
- Long service life (no embrittlement) and lower fire load because housing is made from PP
- Size and weight of cells make them easy to use and service, in comparison with flat cells
- More homogeneous current distribution than with flat cells
- Directions of anolyte flow can be selected in accordance with paint supplier's recommendations
- Anode rotates in 90° increments to ensure even ablation of material

Benefits for manufacturing

- Top quality thanks to optimized arrangement of the electric fields, which delivers a more homogeneous coating
- Minimal paint consumption
- Lower energy consumption
- Replacement of dialysis cells without emptying electrocoating tank
- High availability of dialysis cells
- Replaceable within 48 hours

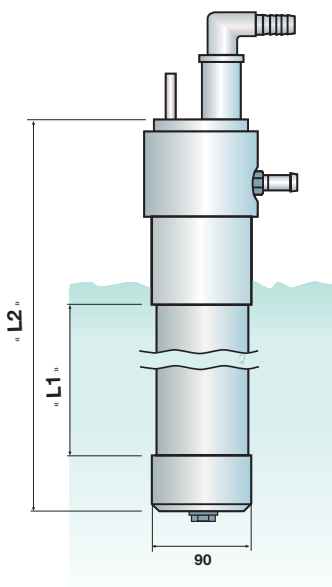


SERVICE ROUND DIALYSIS CELLS

ROUND DIALYSIS CELLS: TECHNICAL DATA

Anode Stainless steel	Membrane length L ₁	Total length L ₂	Anode area m ²	Membrane area m ²	Price/unit EUR
EN 1-10	1000	1360	0.197	0.256	893.00
EN 1-12	1250	1610	0.246	0.320	941.00
EN 1-15	1500	1860	0.295	0.384	948.00
EN 1-17	1750	2110	0.344	0.448	1,112.00
EN 1-20	2000	2360	0.393	0.512	1,133.00
EN 1-22	2250	2610	0.442	0.576	1,149.00
EN 1-25	2500	2860	0.491	0.640	1,167.00
EN 1-27	2750	3110	0.540	0.704	1,250.00
EN 1-30	3000	3360	0.589	0.768	1,292.00

Volume discount available on request



EISENMANN

www.eisenmann.com

Eisenmann Service GmbH & Co. KG, Tübinger Str. 81, 71032 Böblingen, Germany, Phone: +49 7031 78-0, Fax: +49 7031 78-1000

2013 © Eisenmann Service GmbH & Co. KG | 03-2013

All rights reserved. All text, images, photos and graphics are subject to copyright and other intellectual property laws. Content may only be used with the express permission of Eisenmann Service GmbH & Co. KG. All content, including, without limitation, specifications, descriptions and illustrations, are subject to error and change, in particular with regard to ongoing development of our products in line with technological progress. Changes to content will not be proactively communicated. Technical specifications may vary from country to country.